

CATALOG

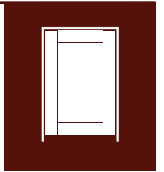
RTF CABINET DOORS

2025



2026

DOOR STYLE



DOOR STYLE:
SHAKER BRYCE

DESCRIPTION

MIN SIZE DOORS: 8"W X 8"H
 MIN SIZE SHAKER DRAWERS: 8"W X 5"H
 EDGE STYLE: ES00 - ES01 - ES02 - ES03 - ES04



- BEADED SHAKERS AVAILABLE WITH SINGLE OR DOUBLE BEADS
- AVAILABLE AS SQUARE CORNER MULLION DOORS



DOOR STYLE:
SHAKER ARCHES

DESCRIPTION

MIN SIZE DOORS: 8"W X 8"H
 MIN SIZE SHAKER DRAWERS: 8"W X 6"H
 REDUCE RAIL: 8" W X 5"H
 EDGE STYLE: ES00 - ES01 - ES02 - ES03 - ES04



- BEADED SHAKERS AVAILABLE WITH SINGLE OR DOUBLE BEADS
- AVAILABLE AS SQUARE CORNER MULLION DOORS



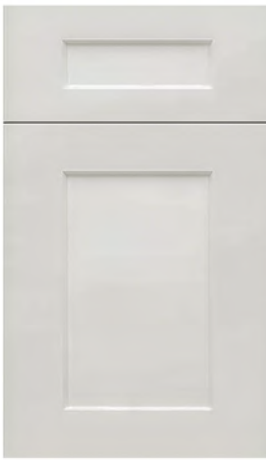
DOOR STYLE:
SHAKER YOSEMITE

DESCRIPTION

MIN SIZE DOORS: 8"W X 8"H
 MIN SIZE SHAKER DRAWERS: 8"W X 7"H
 REDUCE RAIL: 8" W X 5"H
 EDGE STYLE: ES00 - ES01 - ES02 - ES03 - ES04



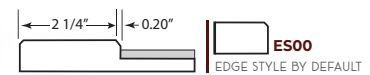
- BEADED SHAKERS AVAILABLE WITH SINGLE OR DOUBLE BEADS
- AVAILABLE AS SQUARE CORNER MULLION DOORS



DOOR STYLE:
SHAKER BIG BEND

DESCRIPTION

MIN SIZE DOORS: 8"W X 8"H
 MIN SIZE SHAKER DRAWERS: 8"W X 7"H
 REDUCE RAIL: 8" W X 5"H
 EDGE STYLE: ES00 - ES01 - ES02 - ES03 - ES04



- BEADED SHAKERS AVAILABLE WITH SINGLE OR DOUBLE BEADS
- AVAILABLE AS SQUARE CORNER MULLION DOORS



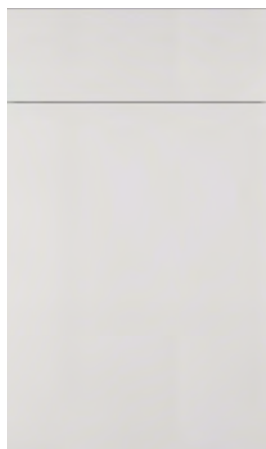
DOOR STYLE:
SHAKER EVERGLADE

DESCRIPTION

MIN SIZE DOORS: 11"W X 8"H
 MIN SIZE SHAKER DRAWERS: 10"W X 7"H
 EDGE STYLE: ES00 - ES01 - ES02 - ES03 - ES04



- BEADED SHAKERS AVAILABLE WITH SINGLE OR DOUBLE BEADS
- AVAILABLE AS SQUARE CORNER MULLION DOORS



DOOR STYLE:
SLAB GLACIER BAY

DESCRIPTION

MIN SIZE DOORS: 7"W X 5"H
 MIN. SIZE SLAB DRAWERS: 5"W X 2.5"H
 EDGE STYLE: ES00 - ES01 - ES02 - ES03 - ES04



- BEADED SHAKERS AVAILABLE WITH SINGLE OR DOUBLE BEADS
- AVAILABLE AS SQUARE CORNER MULLION DOORS



DOOR STYLE:

**RAISED PANEL
PINNACLES**

DESCRIPTION

- MIN SIZE DOORS: 10"W X 12"H
- MIN SIZE DRAWERS: 10"W X 10"H
- REDUCE RAIL: 10" W X 5"H
- EDGE STYLE: ES00 - ES01 - ES02 - ES03 - ES04



- BEADED SHAKERS AVAILABLE WITH SINGLE OR DOUBLE BEADS
- AVAILABLE AS SQUARE CORNER MULLION DOORS

DOOR STYLE:

**RAISED PANEL
PINNACLES**

ARC

DESCRIPTION

- MIN SIZE DOORS: 12"W X 14"H
- MIN SIZE DRAWERS: 10"W X 10"H
- REDUCE RAIL: 10" W X 5"H
- EDGE STYLE: ES00 - ES01 - ES02 - ES03 - ES04



- BEADED SHAKERS AVAILABLE WITH SINGLE OR DOUBLE BEADS
- AVAILABLE AS SQUARE CORNER MULLION DOORS

DOOR STYLE:

**RAISED PANEL
YELLOWSTONE**

DESCRIPTION

- MIN SIZE DOORS: 12"W X 14"H
- MIN SIZE DRAWERS: 10"W X 10"H
- REDUCE RAIL: 10" W X 5"H
- EDGE STYLE: ES00 - ES01 - ES02 - ES03 - ES04



- BEADED SHAKERS AVAILABLE WITH SINGLE OR DOUBLE BEADS
- AVAILABLE AS SQUARE CORNER MULLION DOORS

DOOR STYLE:

**RAISED PANEL
SHENANDOAH**

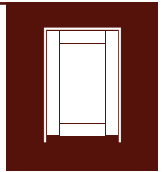
DESCRIPTION

- MIN SIZE DOORS: 10"W X 12"H
- MIN SIZE DRAWERS: 10"W X 10"H
- REDUCE RAIL: 10" W X 5"H
- EDGE STYLE: ES00 - ES01 - ES02 - ES03 - ES04



- BEADED SHAKERS AVAILABLE WITH SINGLE OR DOUBLE BEADS
- AVAILABLE AS SQUARE CORNER MULLION DOORS

DOOR STYLE

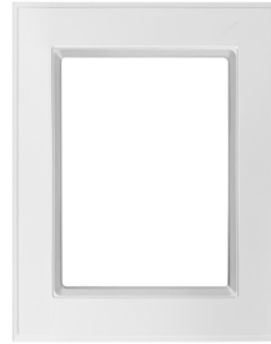


DOOR STYLE:
BIG BEND GLASS

DESCRIPTION
MIN SIZE DOORS: 9"W X 10"H
EDGE STYLE: ES00 - ES01 - ES02 - ES03 - ES04



- BEADED SHAKERS AVAILABLE WITH SINGLE OR DOUBLE BEADS
- AVAILABLE AS SQUARE CORNER MULLION DOORS



DOOR STYLE:
KATMAI GLASS

DESCRIPTION
MIN SIZE DOORS: 9"W X 10"H
EDGE STYLE: ES00 - ES01 - ES02 - ES03 - ES04



- BEADED SHAKERS AVAILABLE WITH SINGLE OR DOUBLE BEADS
- AVAILABLE AS SQUARE CORNER MULLION DOORS



DOOR STYLE:
YOSEMITE GLASS

DESCRIPTION
MIN SIZE DOORS: 9"W X 10"H
EDGE STYLE: ES00 - ES01 - ES02 - ES03 - ES04



- BEADED SHAKERS AVAILABLE WITH SINGLE OR DOUBLE BEADS
- AVAILABLE AS SQUARE CORNER MULLION DOORS



DOOR STYLE:
SHENANDOAH GLASS

DESCRIPTION
MIN SIZE DOORS: 9"W X 10"H
EDGE STYLE: ES00 - ES01 - ES02 - ES03 - ES04



- BEADED SHAKERS AVAILABLE WITH SINGLE OR DOUBLE BEADS
- AVAILABLE AS SQUARE CORNER MULLION DOORS



DOOR STYLE:
YELLOWSTONE GLASS

DESCRIPTION
MIN SIZE DOORS: 9"W X 10"H
EDGE STYLE: ES00 - ES01 - ES02 - ES03 - ES04



- BEADED SHAKERS AVAILABLE WITH SINGLE OR DOUBLE BEADS
- AVAILABLE AS SQUARE CORNER MULLION DOORS



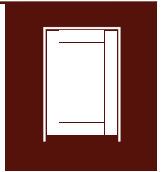
DOOR STYLE:
PINNACLES GLASS

DESCRIPTION
MIN SIZE DOORS: 9"W X 10"H
EDGE STYLE: ES00 - ES01 - ES02 - ES03 - ES04



- BEADED SHAKERS AVAILABLE WITH SINGLE OR DOUBLE BEADS
- AVAILABLE AS SQUARE CORNER MULLION DOORS

RIB PANEL



DESCRIPTION

CORE MATERIAL: MDF

PANEL DIMENSIONS: 44" X 95"

SURFACE FINISH: THERMOFOIL VINYL LAMINATE

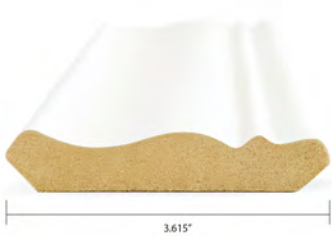
TEXTURE: RIBBED OR LINEAR SURFACE DETAILING

APPLICATIONS: CABINET DOORS, DECORATIVE PANELS,
WALL CLADDING, COMMERCIAL FURNITURE

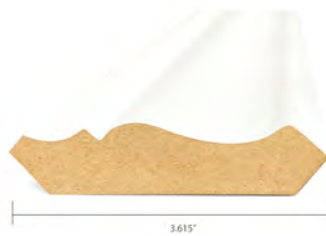
AVAILABLE IN ALL THE COLORS AND FINISHES OF OUR CABINET
DOOR COLLECTION

MOLDING

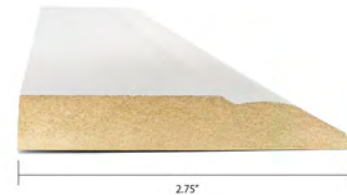
Crown and Base



MOLDING CROWN F
AVAILABLE IN 3.615" SIZE



MOLDING CROWN M
AVAILABLE IN 3.615" SIZE

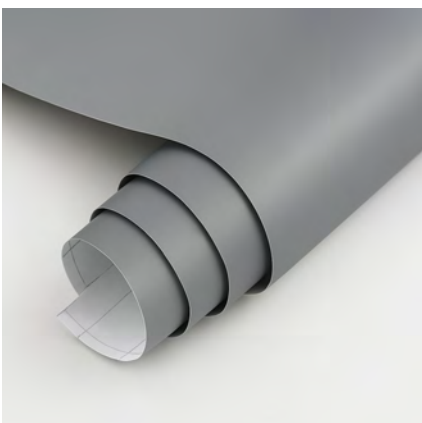
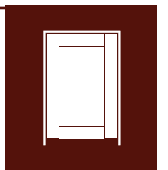


MOLDING BASE M
AVAILABLE IN 2.75" SIZES

AVAILABLE IN ALL THE COLORS AND FINISHES OF OUR CABINET DOOR COLLECTION

PSA

Thermofoil Peel and Stick Sheet



DESCRIPTION

OUR **PSA PEEL AND STICK MODERN** THERMOFOIL SHEETS ARE A GREAT WAY TO TRANSFORM YOUR KITCHEN WITHOUT THE NEED TO REPLACE YOUR CABINET STRUCTURE.

AVAILABLE IN 4'X8' AND 2'X8' SIZES, WITH ANY OF OUR MODERN THERMOFOIL FINISH OPTIONS.

EASY TO APPLY, DURABLE, AND DESIGNED TO DELIVER A SLEEK, ELEGANT LOOK THAT REFRESHES YOUR SPACE WITH STYLE AND FUNCTIONALITY. PERFECT FOR RENOVATION PROJECTS, INTERIOR DESIGN, AND PRACTICAL HOME SOLUTIONS.

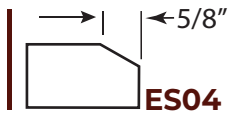
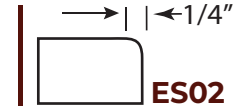
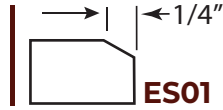
AVAILABLE IN ALL THE COLORS AND FINISHES OF OUR CABINET DOOR COLLECTION

DOOR COLORS: SCAN QR CODE FOR CROSS-REFERENCE AND MATCHING BACK COLORS.

 WHITE MATCHING TFL - HPL 	 SNOW WHITE MATCHING TFL - HPL 	 GLACIER WHITE MATCHING TFL - HPL 	 ONTARIO WHITE MATCHING TFL - HPL 	 WHITE GREY MATCHING TFL - HPL 	 ANTIQUE WHITE MATCHING TFL - HPL 	 SOLID CLASSIC VANILLA MATCHING TFL - HPL 
 OPTI GREY MATCHING TFL - HPL 	 FOLKSTONE MATCHING TFL - HPL 	 STORM GREY MATCHING TFL - HPL 	 CHARCOAL MATCHING TFL - HPL 	 GAUNLET GREY MATCHING TFL - HPL 	 CASHMERE GREY MATCHING TFL - HPL 	 FASHION GREY MATCHING TFL - HPL 
 WILLOW GREY MATCHING TFL - HPL 	 PEBBLE GREY MATCHING TFL - HPL 	 CUBANIT GREY MATCHING TFL - HPL 	 SOLID MOON LIGHT MATCHING TFL - HPL 	 BLACK MATCHING TFL - HPL 	 SHADOW GREY MATCHING TFL - HPL 	 STONE GREY MATCHING TFL - HPL 
 BLACK MATT MATCHING TFL - HPL 	 REED GREEN MATCHING TFL - HPL 	 MISTY BLUE MATCHING TFL - HPL 	 INDIGO BLUE MATCHING TFL - HPL 	 CANDLELIGHT MATCHING TFL - HPL 	 LAUSANNE MATCHING TFL - HPL 	 GRAPHITE GREY MATCHING TFL - HPL 
 BRIGHTON WALNUT MATCHING TFL - HPL 	 WHITE FINELINE MATCHING TFL - HPL 	 SEVILLA ASH MATCHING TFL - HPL 	 SALINAS OAK NATURAL MATCHING TFL - HPL 	 NATURAL HALIFAX OAK MATCHING TFL - HPL 	 HONEY CARINI WALNUT MATCHING TFL - HPL 	 LAUSANNE DARK MATCHING TFL - HPL 
 CHOCOLATE PEAR MATCHING TFL - HPL 	 CHOCOLATE CARINI WALNUT MATCHING TFL - HPL 	 GREY VICENZA OAK MATCHING TFL - HPL 	 CARBON FROZEN WOOD MATCHING TFL - HPL 	 DARK GREY FINELINE MATCHING TFL - HPL 	 NATURAL CARINI WALNUT MATCHING TFL - HPL 	

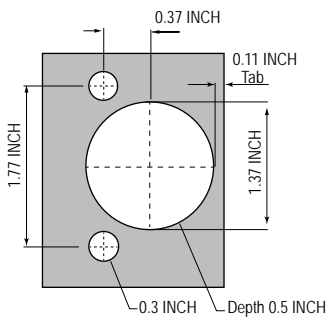
-NOTE: COLORS MAY VARY DUE TO PRINT SETTINGS. PHYSICAL SAMPLES AVAILABLE UPON REQUEST.

EDGE STYLE



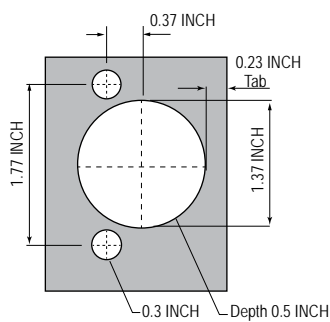
HINGE BORING PATTERN

A.



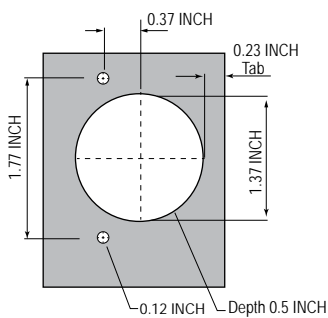
DISTANCE EDGE BOARD 3 INCH

B.



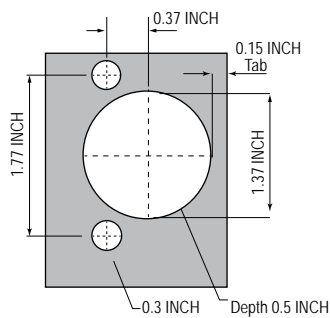
DISTANCE EDGE BOARD 3.15 INCH

C.



DISTANCE EDGE BOARD 3.5 INCH

D.



DISTANCE EDGE BOARD 4.25 INCH



WE ARE MEMBER OF THE



LAST EDITION: 05/01/2026